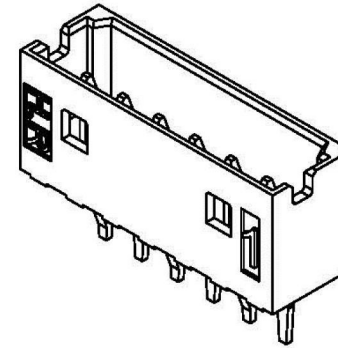
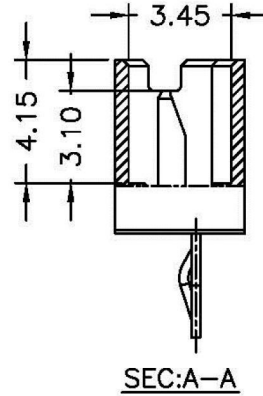
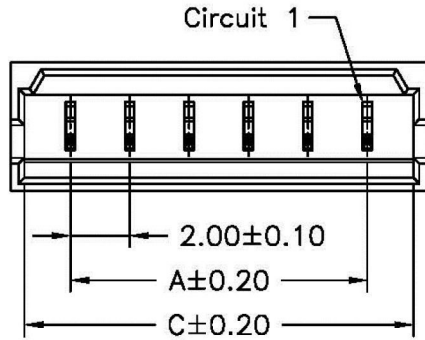
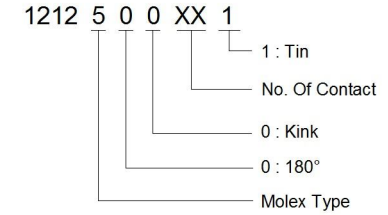


CUSTOMER COPY

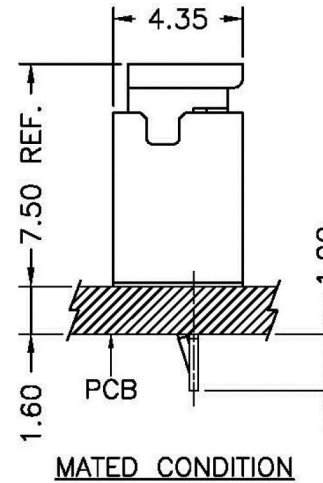
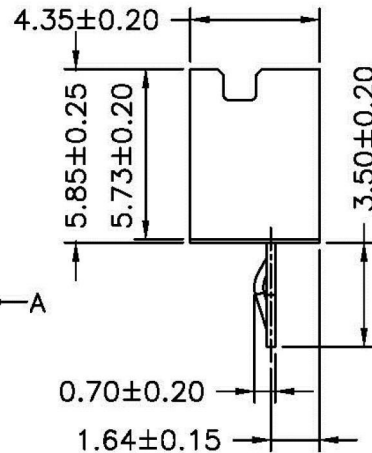
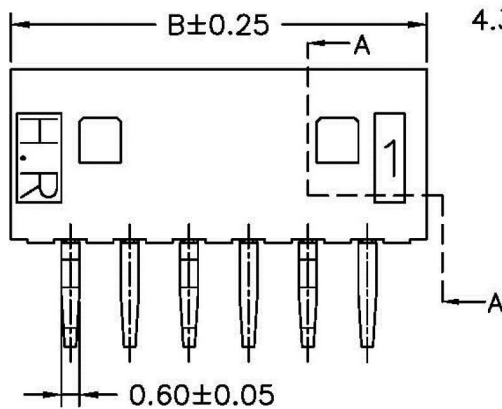
REV.	DESCRIPTION	APP.	DATE
A	NEW DESIGN	Ader	2015/3/23

*Order Information

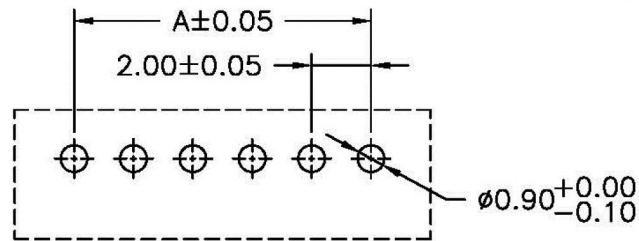


SPECIFICATIONS

Current Rating: 2A AC,DC
 Voltage Rating: 125V AC,DC
 Temperature Range: -25°C ~ +85°C
 Contact Resistance: 20mΩ Max.
 Insulation Resistance: 1000MΩ Min.
 Withstanding Voltage: 800V AC/minute
 Pin Material: Phosphor Bronze
 Material: Nylon 66,UL94V-0



Circuit No.	Dimensions		
	A	B	C
02P	2.00	6.00	5.10
03P	4.00	8.00	7.10
04P	6.00	10.00	9.10
05P	8.00	12.00	11.10
06P	10.00	14.00	13.10
07P	12.00	16.00	15.10
08P	14.00	18.00	17.10
09P	16.00	20.00	19.10
10P	18.00	22.00	21.10
11P	20.00	24.00	23.10
12P	22.00	26.00	25.10
13P	24.00	28.00	27.10
14P	26.00	30.00	29.10
15P	28.00	32.00	31.10



P.C.B LAYOUT

 鈺滿榮企業股份有限公司 ACMELUX CO., LTD.
 TEL:886-2-85124595 FAX:886-2-85124322

0.0±0.30	SCALE:	TITLE:	PART NO:
0.00±0.20			
0.000±0.1			
	UNIT: mm	molex 180度 2.00mm Wafer	APP BY: Cheryl
		MATL: RoHS	CHK BY: Miao
		DWG. NO. 1212500XX1	DR BY: Ader

A303